

# CAB KITS

FUNCTIONAL AND DURABLE DESIGN



## 1 ROOF PANEL

Functional and variable design.  
All steel or polycarbonate roof,  
according to customers' needs.  
Durable design.

## 2 REAR PANEL

Certified safety glass.  
Tilt out window with gas spring,  
or sliding window.  
Wiper-washer set (all terrain model only).

## 3 FRONT PANEL

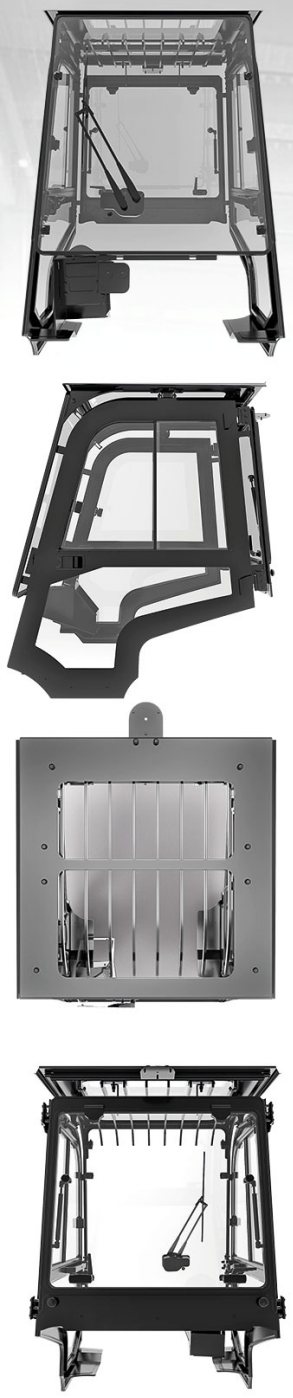
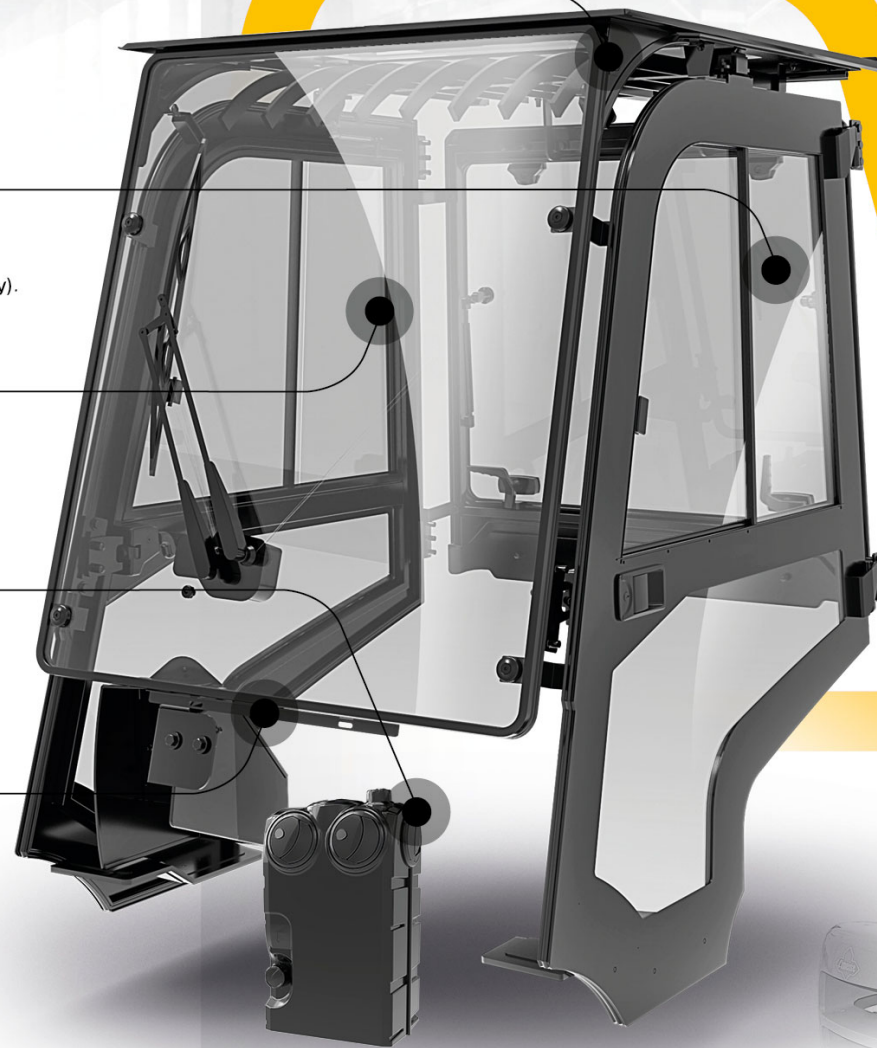
Certified safety glass.  
Fixed windshield.  
Wiper-washer set.

## 4 HEATING SYSTEM

Electric or hot water  
heating system depending  
on the forklift's engine type.  
Easy assembly.

## 5 DOORS

Heavy duty keyed locking system.  
Gas springs for easy opening.  
Sliding door windows.  
Variable design - doors with  
steel frame and safety glass  
windows or doors from extremely  
durable polycarbonate.



**CAB KITS**  
FUNCTIONAL AND DURABLE DESIGN

FOCUSED ON **HELI**