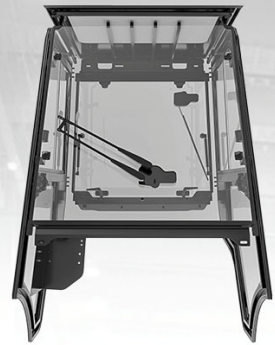


CAB KITS

FUNCTIONAL AND DURABLE DESIGN



1. ROOF PANEL

Functional and variable design. All steel or polycarbonate roof, according to customers' needs. Durable design.



2. REAR PANEL

Certified safety glass. Tilt out window with gas spring, or sliding window. Wiper-washer set.



3. FRONT PANEL

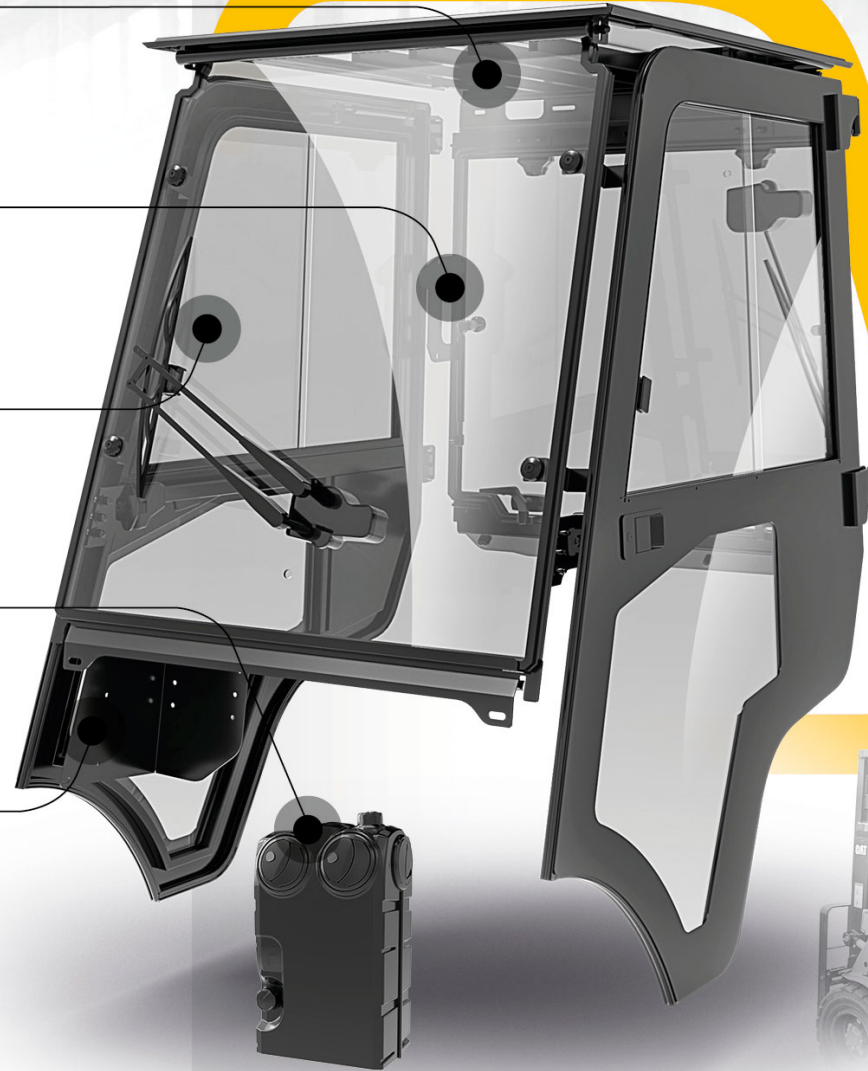
Certified safety glass. Fixed windshield. Wiper-washer set.

4. HEATING SYSTEM

Electric or hot water heating system depending on the forklift's engine type. Easy assembly.

5. DOORS

Heavy duty keyed locking system. Gas springs for easy opening. Sliding door windows. Variable design - doors with steel frame and safety glass windows or doors from extremely durable polycarbonate.



CAB KITS

FUNCTIONAL AND DURABLE DESIGN

FOCUSED ON **MITSUBISHI**